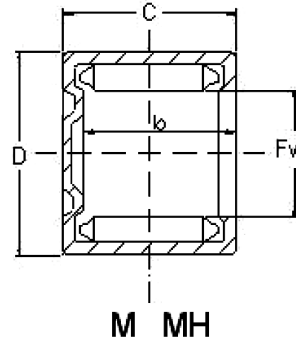
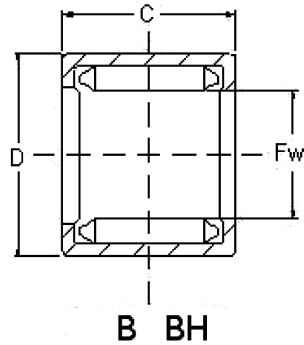


BEARING DESIGNATION		BOUNDARY DIMENSIONS			LOAD RATING		LIMITING SPEED	WT.
Open End	Closed End	Fw	D	C	Dynamic Cr (N)	Static Cor (N)	Rpm	oz
		inch						
B-44	M-441			1/4	566	531		0.07
B-45	M-451	1/4	7/16	5/16	768	786	10000	0.09
B-47	M-471			7/16	1210	1410		0.12
B-55	M-551	5/16	1/2	5/16	883	985	8300	0.11
B-56	—			3/8	1140	1370		0.13
B-57	M-571		1/2	7/16	1390	1770	8300	0.16
B-59	—			9/16	1850	2550		0.19
BH-57	—	5/16	9/16	7/16	1530	1590	11000	0.22
BH-59	—			9/16	2080	2340		0.25
B-65	M-651	3/8	9/16	5/16	984	1180	7100	0.12
B-66	M-661			3/8	1280	1650		0.15
B-67	—			7/16	1550	2120		0.17
B-68	M-681	3/8	9/16	1/2	1810	2590	7100	0.20
B-69	—			9/16	2070	3070		0.22
B-610	M-6101			5/8	2310	3530		0.25
BH-68	—	3/8	5/8	1/2	2050	2380	9400	0.29
B-76	—			3/8	1390	1930		0.17
B-77	—			7/16	1700	2480		0.20
B-78	M-781	7/16	5/8	1/2	1980	3030	6300	0.23
B-710	—			5/8	2520	4130		0.28
BH-78	—	7/16	11/16	1/2	2260	2780	8300	0.33
B-85	—	1/2		5/16	1160	1580	5500	0.16

FIT GOES THE EXTRA MILE FOR OUR CUSTOMERS

CORPORATE - WEST COAST SALES
 47655 Warm Springs Blvd
 Fremont, CA 94539
 Toll Free: (800) 808-0348
 Phone: (510) 623-1688

MIDWEST SALES - DISTRIBUTION
 2800 Galvin Drive
 Elgin, IL 60124
 Toll Free: (877) 808-0348
 Phone: (847) 836-8200

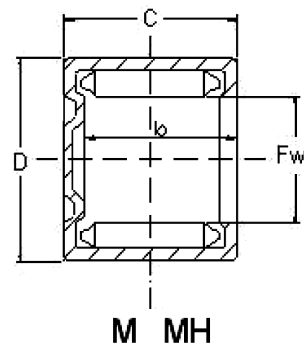
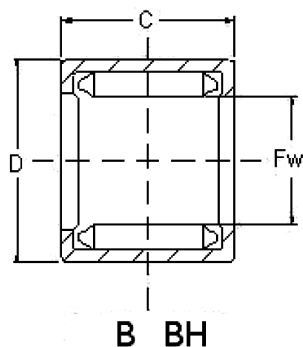


BEARING DESIGNATION		BOUNDARY DIMENSIONS			LOAD RATING		LIMITING SPEED	WT.
Open End	Closed End	Fw	D	C	Dynamic Cr (N)	Static Cor (N)	Rpm	oz
		inch						
B-86	M-861			3/8	1500	2200		0.19
B-87	M-871			7/16	1830	2840		0.22
B-88	M-881	1/2	11/16	1/2	2130	3460	5500	0.25
B-810	M-8101			5/8	2720	4720		0.31
B-812	M-8121			3/4	3260	5980		0.37
BH-87				7/16	2060	2550		0.32
BH-88				1/2	2450	3180		0.37
BH-810	—	1/2	3/4	5/8	3180	4440	7500	0.44
BH-812				3/4	3850	5690		0.53
B-95	M-951	9/16		5/16	1240	1780	5000	0.17
B-96				3/8	1600	2480		0.21
B-97				7/16	1950	3190		0.24
B-98	—	9/16	3/4	1/2	2280	3900	5000	0.28
B-910				5/8	2900	5310		0.35
B-912	M-9121			3/4	3480	6730		0.41
BH-98				1/2	2630	3580		0.40
BH-910	—	9/16	13/16	5/8	3400	5000	6800	0.48
BH-912				3/4	4130	6410		0.57
B-105	—	5/8	13/16	5/16	1310	1980	4500	0.19
B-107	M-1071			7/16	2070	3550		0.27
B-108	M-1081	5/8	13/16	1/2	2410	4330	4500	0.31
B-1010	—			5/8	3070	5900		0.38

FIT STRIVES TO BECOME OUR CUSTOMERS' #1 OVERSEAS SUPPLIER

CORPORATE - WEST COAST SALES
 47655 Warm Springs Blvd
 Fremont, CA 94539
 Toll Free: (800) 808-0348
 Phone: (510) 623-1688

MIDWEST SALES - DISTRIBUTION
 2800 Galvin Drive
 Elgin, IL 60124
 Toll Free: (877) 808-0348
 Phone: (847) 836-8200

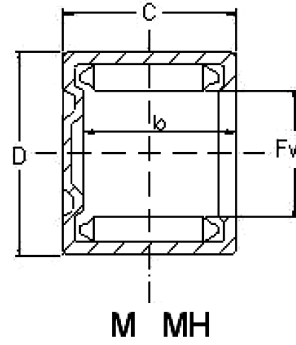
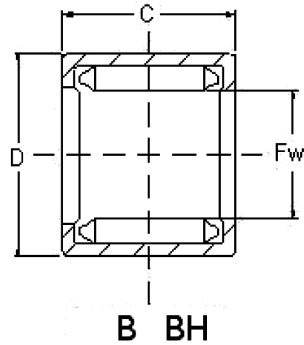


BEARING DESIGNATION		BOUNDARY DIMENSIONS			LOAD RATING		LIMITING SPEED	WT.
Open End	Closed End	Fw	D	C	Dynamic Cr (N)	Static Cor (N)	Rpm	oz
		inch						
B-1012	M-10121	5/8	13/16	3/4	3690	7480	4500	0.46
BH-108	MH-1081		7/8	1/2	2790	3980	6200	0.44
BH-1010	—		5/8	5/8	3620	5530	6200	0.53
BH-1012	—		7/8	3/4	4390	7130		0.63
BH-1016	—		1		5830	10300		0.85
B-116	—	11/16	7/8	3/8	1790	3030	4200	0.25
B-118	—			1/2	2540	4770		0.34
B-1110	M-11101		7/8	5/8	3230	6500	4200	0.42
B-1112	M-11121			3/4	3880	8230		0.49
BH-117	—		15/16	7/16	2480	3510	5700	0.42
BH-1110	MH-11101	11/16	15/16	5/8	3820	6110	5700	0.56
BH-1112	—	11/16	15/16	3/4	4640	7840	5700	0.68
B-126	—	3/4	1	3/8	2100	2900	5500	0.35
B-128	M-1281	3/4	1	1/2	3100	4790	5500	0.48
B-1210	M-12101			5/8	4010	6670		0.60
B-1212	M-12121	3/4	1	3/4	4870	8560	5500	0.72
B-136	—	13/16	1 1/16	3/8	2190	3140	5200	0.38
B-138	M-1381			1/2	3240	5190		0.51
B-1314	—			7/8	5940	11300		0.88
B-1316	M-13161			1	6760	13400		1.01
BH-1310	—	13/16	1 1/8	5/8	4320	6510	6200	0.83
BH-1312	—			3/4	5340	8550		1.01

FIT'S SHANGHAI QUALITY CONTROL CENTER HAS STATE-OF-THE-ART TESTING EQUIPMENT

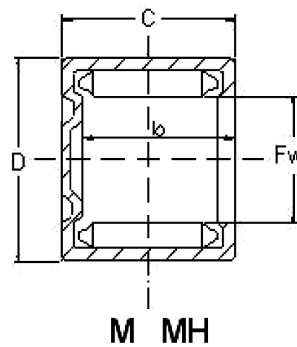
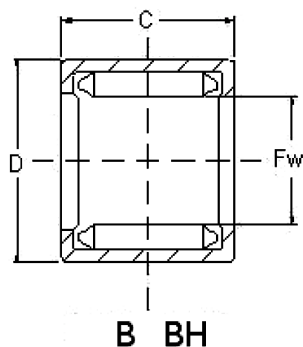
CORPORATE - WEST COAST SALES
 47655 Warm Springs Blvd
 Fremont, CA 94539
 Toll Free: (800) 808-0348
 Phone: (510) 623-1688

MIDWEST SALES - DISTRIBUTION
 2800 Galvin Drive
 Elgin, IL 60124
 Toll Free: (877) 808-0348
 Phone: (847) 836-8200



BEARING DESIGNATION		BOUNDARY DIMENSIONS			LOAD RATING		LIMITING SPEED	WT.
Open End	Closed End	Fw	D	C	Dynamic Cr (N)	Static Cor (N)	Rpm	oz
		inch						
B-146	—	7/8	1 1/8	3/8	2280	3380	4800	0.41
B-148	—			1/2	3370	5590		0.55
B-1412	M-14121			3/4	5300	9990		0.83
B-1416	M-14161			1	7040	14400		1.09
B-1418	—			1 1/8	7860	16600		1.22
BH-1410	—	7/8	1 3/16	5/8	4470	7030	5880	0.88
BH-1412				3/4	5530	9230		1.06
BH-1416				1	7480	13600		1.39
B-158	M-15161	15/16	1 1/4	1/2	3500	5990	4500	0.58
B-1516		15/16		1	7300	15400	4500	1.16
B-166		—		1	3/8	2450	3870	4300
B-167	7/16		3050		5120	0.54		
B-168	1/2		3620		6390	0.62		
B-1610	M-16121	1	1 1/4	5/8	4690	8910	5200	0.78
B-1612				3/4	5690	11400		0.93
B-1616				M-16161	1 1/4	1		7560
BH-168	MH-1681	1	1 5/16	1/2	3600	5500	5200	0.85
BH-1610	—			5/8	4830	8020		0.99
BH-1612	MH-16121			3/4	5970	10500		1.18
BH-1616	MH-16161			1	8090	15600		1.59
BH-1620	—	1	1 5/16	1 1/4	10100	20600	5200	1.99
BH-1624				1 1/2	11900	25600		2.38

CUSTOMERS ARE ALWAYS ENCOURAGED TO VISIT FIT'S SHANGHAI QUALITY CONTROL CENTER

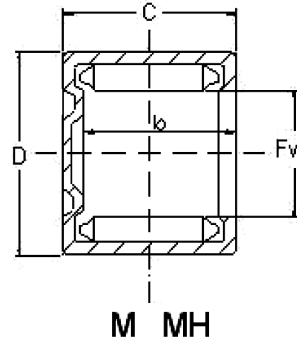
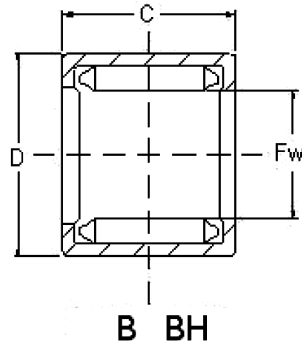


BEARING DESIGNATION		BOUNDARY DIMENSIONS			LOAD RATING		LIMITING SPEED	WT.	
Open End	Closed End	Fw	D	C	Dynamic Cr (N)	Static Cor (N)	Rpm	oz	
		inch							
B-1710	—	1 1/16	1 5/16	5/8	4840	9470	4000	0.83	
B-186	—		1 3/8	3/8	2610	4350		3800	0.51
B-188				1/2	3850	7190	0.69		
B-1812				3/4	6060	12900	1.04		
B-1816	M-18161		1 3/8	1	8050	18500	3800	1.38	
BH-1812	—	1 1/8	1 1/2	3/4	6920	11500	5500	1.59	
BH-1816				1	9420	17100		2.12	
BH-1820		1 1/4	11800	22900	2.59				
B-1916			1 3/16		1	8860	18500	4400	1.83
B-208		1 1/4		1/2	4080	7990	3500	0.76	
B-2010	—	1 1/4	1 1/2	5/8	5280	11100	3500	0.95	
B-2012			3/4	6410	14300	1.15			
B-2016	M-20161		1 1/2	1	8510	20600	3500	1.52	
B-2020	M-20201		1 1/4	1 1/4	10500	26900		1.89	
BH-208	—		1 5/8	1/2	4200	6320	5000	1.22	
BH-2012	—	1 1/4	1 5/8	3/4	7250	12700	5000	1.75	
BH-2016				MH-20161	1	9910		19000	2.33
BH-2020				MH-20201	1 1/4	12400		25400	2.87
B-218	—	1 5/16	1 5/8	1/2	4180	7220	4000	1.01	
B-2110				5/8	5600	10500		1.25	
B-2120	—	1 5/16	1 5/8	1 1/4	11700	27200	4000	2.68	
B-228				1 3/8	4280	8790		3200	0.83

GIVE US A CALL; WE CAN ASSIST YOU WITH QUOTES, SAMPLES, AND/OR QUESTIONS

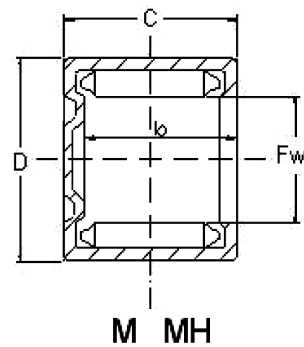
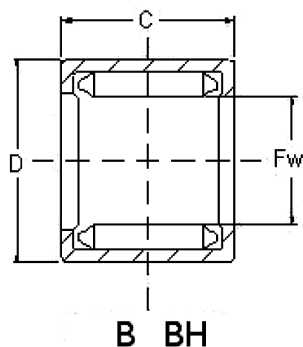
CORPORATE - WEST COAST SALES
 47655 Warm Springs Blvd
 Fremont, CA 94539
 Toll Free: (800) 808-0348
 Phone: (510) 623-1688

MIDWEST SALES - DISTRIBUTION
 2800 Galvin Drive
 Elgin, IL 60124
 Toll Free: (877) 808-0348
 Phone: (847) 836-8200



BEARING DESIGNATION		BOUNDARY DIMENSIONS			LOAD RATING		LIMITING SPEED	WT.
Open End	Closed End	Fw	D	C	Dynamic Cr (N)	Static Cor (N)	Rpm	oz
		inch						
B-2212	-	1 3/8	1 5/8	3/4	6730	15700	3200	1.25
B-2216				1	8950	22700		
B-2220			1 1/4	11000	29600			
BH-2210	-	1 3/8	1 3/4	5/8	6240	10600	4700	1.55
BH-2212			3/4	7770	14100			
BH-2216	-	1 3/8	1 3/4	1	10600	20900	4700	2.50
BH-2220				1 1/4	13200	28000		
B-248	-	1 1/2	1 7/8	1/2	4780	7830	4300	1.36
B-2410				5/8	6500	11600		
B-2412				3/4	8090	15400		
B-2414	-	1 1/2	1 7/8	7/8	9590	19200	4300	2.43
B-2416	M-24161			1	11000	22800		
B-2420	M-24201			1 1/4	13800	30500		
B-268	-	1 5/8	2	1/2	4920	8390	3900	1.45
B-2610				5/8	6710	12500		
B-2616	-	1 5/8	2	1	11400	24800	3900	3.00
B-2620				1 1/4	14300	33000		
B-2812				1 3/4	2 1/8	3/4		
B-2816	M-28161	1 3/4	2 1/8	1	11800	26700	3700	3.21
B-2820	-			1 1/4	14800	35500		
B-2824	-	1 3/4	2 1/8	1 1/2	17600	44300	3700	4.80
B-308		1 7/8	2 1/4	1/2	5380	9790		

FIT STRIVES FOR LONG-TERM, WIN-WIN BUSINESS RELATIONSHIPS



BEARING DESIGNATION		BOUNDARY DIMENSIONS			LOAD RATING		LIMITING SPEED	WT.
Open End	Closed End	Fw	D	C	Dynamic	Static	Rpm	oz
		inch			Cr (N)	Cor (N)		
B-3012	-	1 7/8	2 1/4	3/4	9100	19200	3500	2.56
B-3016		1 7/8	2 1/4	1	12400	28600		3.44
B-328		2	2 3/8	1/2	5490	10300		3300
B-3216	M-32161	2	2 3/8	1	12700	30500	3300	3.67
B-3220	-			1 1/4	15900	40600		4.52
B-3228	M-32281	2	2 3/8	1 3/4	21800	60700	3300	6.35
BH-3312	-	2 1/16	2 17/32	3/4	10100	19000	4000	3.67
BH-3316			1	14200	29400	4.90		
B-348		2 1/8	2 1/2	1/2	5650	11000	3100	1.87
B-3416	1	13100	32400	3.84				
B-3424	-	2 1/8	2 1/2	1 1/2	19500	53900	3100	5.71
B-3612		2 1/4	2 5/8	3/4	10100	12000	3000	3.02
B-3620				1 1/4	17300	23800		5.04
B-3624				1 1/2	20500	29700		6.07
B-4216	M-42161	2 5/8	3	1	14800	20600	2500	4.69
B-4410	-	2 3/4	3 1/8	5/8	8980	10900	2500	3.02
B-4416				1	15300	21600		4.90
B-4420				1 1/4	19000	28700		6.10

FIT SPECIALIZES IN BEARINGS, SEALS, AND CASTINGS